



5 Business lines

- **Broadband**

- OF cables, passive network components and solutions (ACE)

- **Energy**

- Utility market (T&D) up to 170kV

- **Building & Infra**

- Installation, wholesale, rail infra, wet infra

- **Marine & Off Shore**

- Ship building, boats as dredgers, new NEK606 for oil rigs

- **Industry**

- (Petro)chemical, Oil & Gas, EPC contracting,
- Renewable (on and off shore)





USP,s

- Customized power cables and connectivity (part of training)
 - Increase of power consumption of industrial installations
- Excellent production lead times for MTO and special products
 - Installation 3 - 4 weeks
 - Instrumentation 3 - 4 weeks
 - Power 4 - 6 weeks
- Wide portfolio for plant building (EPC contracting)





TKF, all under one roof

Optical fibre



Packaging & logistics



Innovations R&D



Power



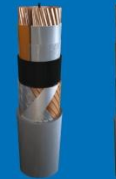
Optical fibre network solutions



Instrumentation



Low voltage



TKF

Industrial cable solutions



**Fire
protection**



Rodent protection



Chemical protection



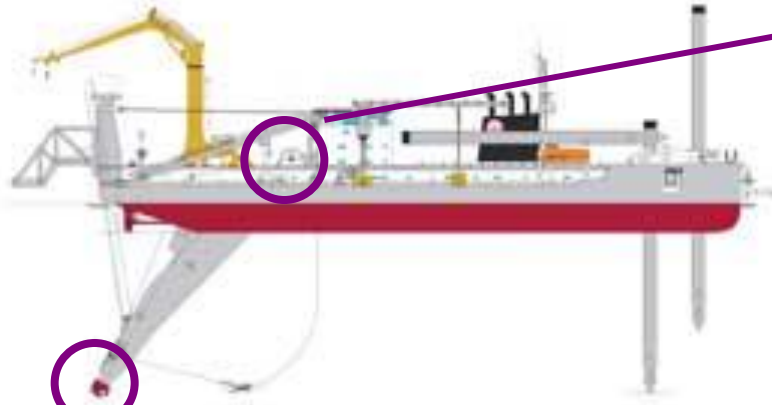
**UV
protection**



**EMC
protect**



Rock cutter dredger

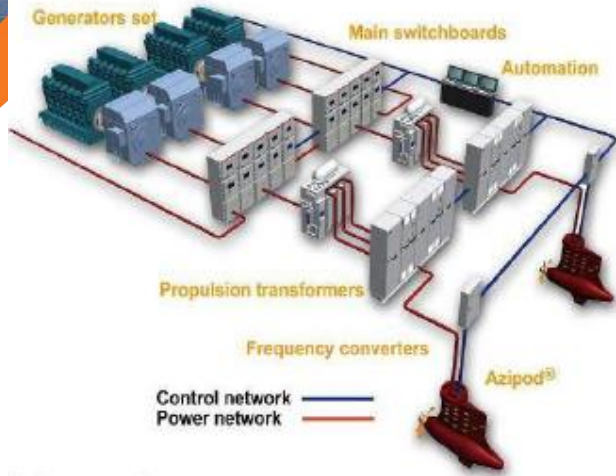




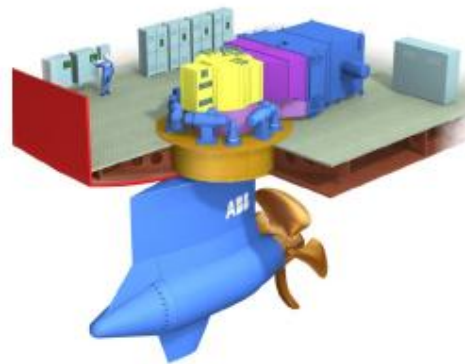
New applications

Schipbuilding:
Azipod drives

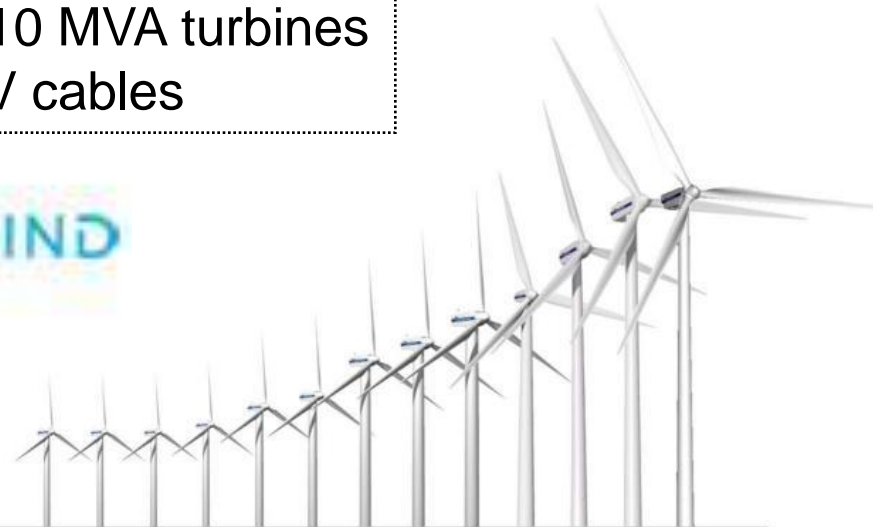
Regular cruiseschip :20km MV cable
30 – 40 GIS switches



Renewable:
3 – 10 MVA turbines
10kV cables



DARWIND



Product/Rotor diameter (m)	V15	V17	V19	V20	V25	V27	V39	V44	V47	V52	V66	V80	V90
Year of installation	1981	1984	1986	1987	1988	1989	1991	1995	1997	2000	1999	2000	2002
Capacity (kW)	55	75	90	100	200	225	500	600	660	850	1750	2000	3000
MWh/year	217	265	301	346	481	647	1304	1581	1947	2530	4705	6768	9152

